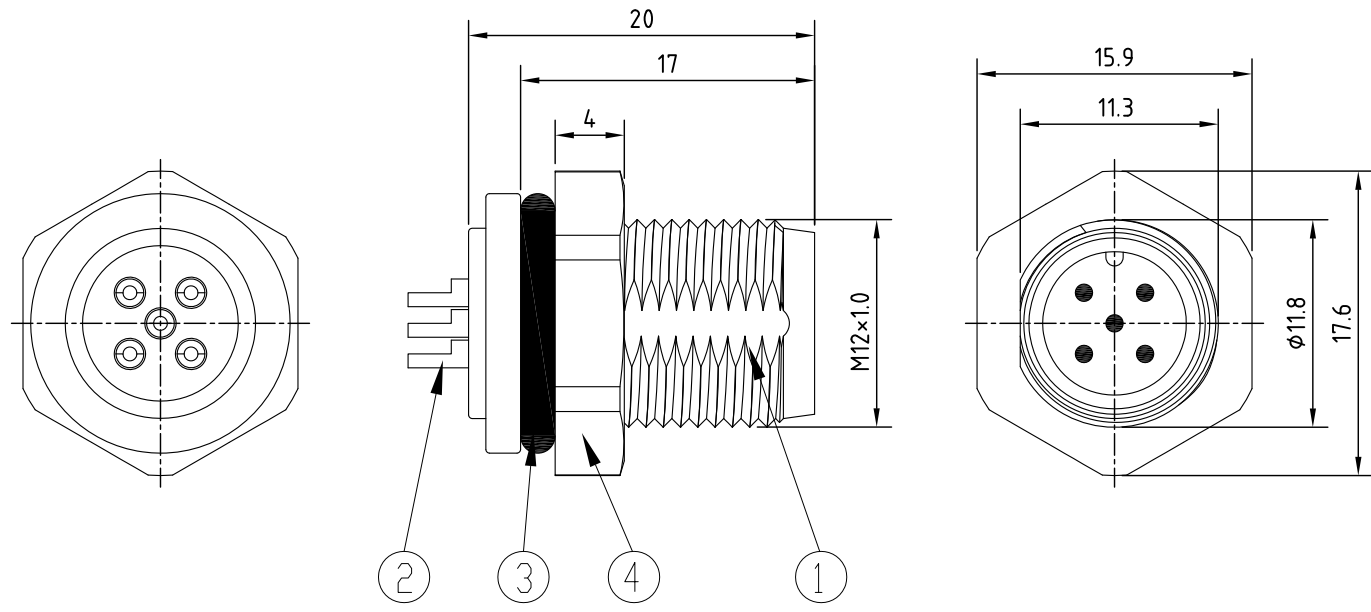


REV.	Description	Date
1	add 12P arrangement	2012/11/2
2	dimension revise	2013/11/1
3	upgrade drawing	2014/3/24

Specification of connector

- General Characteristics
- Locking system : screw M12
 - Termination : solder
 - Shell protection : IP68
 - Contact resistance : $\leq 10\text{m}\Omega$
 - Insulation resistance : $\geq 10\text{M}\Omega$



RoHS
TOLERANCE X±0.5 .X±0.3

CONTACT ARRANGEMENT FRONT VIEW (MALE)	2P	3P	4P	5P	6P	7P	8P	12P
Rated voltage	250V			125V			60V	
Rated current	5A			2A			1A	

Item	Description	Material	Treat & Remark
4	Nut	PA	UL94V-0
3	O ring	Rubber	
2	Pin	Brass	Gold plated
1	Body	PA	UL94V-0

 **Unicable Co., Ltd. 國陽電業有限公司**
5F., No. 111-33, Sec. 4, San Ho Road, San Chung City, Taiwan, R.O.C.
<http://www.unicable.com.tw> TEL:+886-2-2286-2122 FAX:+886-2-2286-1010

DATE	2016/10/7	PART NO.	UT-SD170F3-XP
DWN	GINA	REV.	3
CHK			
UNIT	MM		

ITEM Sensor Connector M12